

Sound insulating of different construction parts

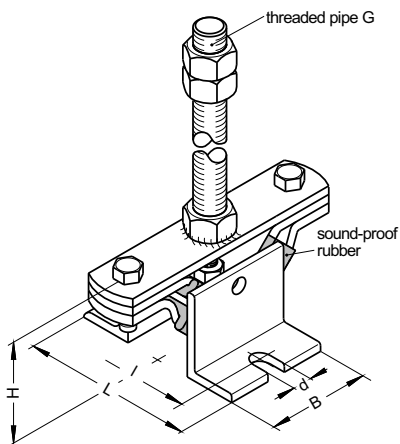


**SOUND INSULATED
according to
DIN 4109**

Mounting example



Combination
dipa® sound insulating component
Type 116 LAF with pipe clamp Type 114 Mu



Combination
2 piece dipa® sound insulating component
Type 116 LAF with pipe clamp Type 114 Mu

Item	Item number	H	L	l	B	d	Threaded pipe G Standard
116 LAF	20018543	61	100	78	60	11	M12x110
116 LAF	20003526	61	100	78	60	11	M16x140

All dimensions in mm

Specification

Zinc-coated