

PIPE CLAMP

two pieces

Type 114-601
114-601 Gu

Type 114-601



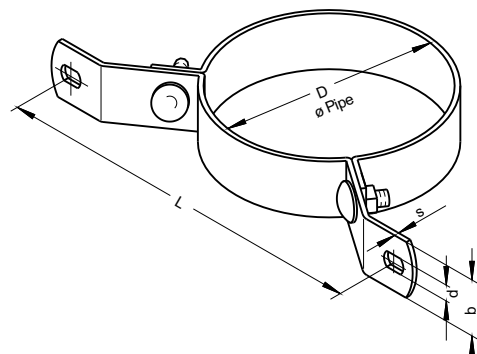
Type 114-601 Gu
with elastomer inlay



All dimensions in mm

Pipe \varnothing	Material bxs	L	d	Type 114-601 Item No. zinc-coated	Type 114-601 Gu Item No. zinc-coated
76,1	20 x 2,0 30 x 2,5	128 138	LL 6,5x9 10,5	22015059 22015060	22015148 22015149
80,0	20 x 2,0 30 x 2,5	132 142	LL 6,5x9 10,5	22015063 22015064	22015156 22015157
88,9	20 x 2,0 30 x 2,5	141 151	LL 6,5x9 10,5	22015065 22015066	22015160 22015161
112,0	20 x 2,0 30 x 2,5	164 174	LL 6,5x9 10,5	22015075 22015076	22015180 22015181
114,3	30 x 2,5 40 x 4,0	164 174	10,5 13,0	22015077 22015078	22015184 22015185
125,0	30 x 2,5 40 x 4,0	175 185	10,5 13,0	22015079 22015080	22015188 22015189
139,7	30 x 2,5 40 x 4,0	190 200	10,5 13,0	22015083 22015084	22015196 22015197
168,3	30 x 2,5 40 x 4,0	220 230	10,5 13,0	22015093 22015094	22015215 22015216
219,1	30 x 2,5 40 x 4,0	269 279	10,5 13,0	22015104 22015105	22015230 22015231
Other diameters until max. \varnothing1400 on request. Please tell us the requested pipe diameter.					

SOUND INSULATED
according to
DIN 4109



Description

Stable, two piece pipe clamp for different application areas. For mounting the pipe clamp connection screws are fixed to the lower part. The fastening Type 114-601 is deliverable as standard in diameter range from DN 65 until DN 1400.

Specification

Zinc-coated or stainless steel

Preferable fields of application

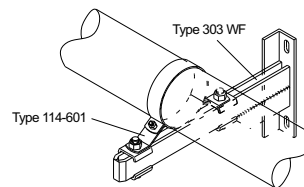
Sign and chimney construction, ventilation technology

Min. purchase quantity

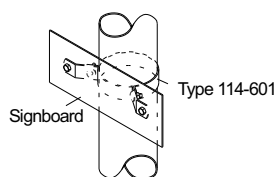
50 Pieces until \varnothing 199
25 Pieces until \varnothing 499
10 Pieces from \varnothing 500

**Also STAINLESS available
RUST
PROOF**

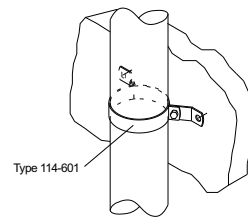
Mounting example



Console mounting



Sign mounting



Wall mounting



Ordering designations: Type...
e.g. 114-601

Diameter...
 \varnothing 88.9

Surface...
zinc-coated

Material b x s...
30x2,5

Item Number
22015066