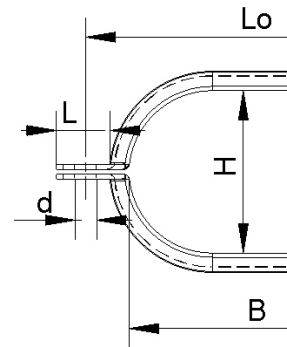
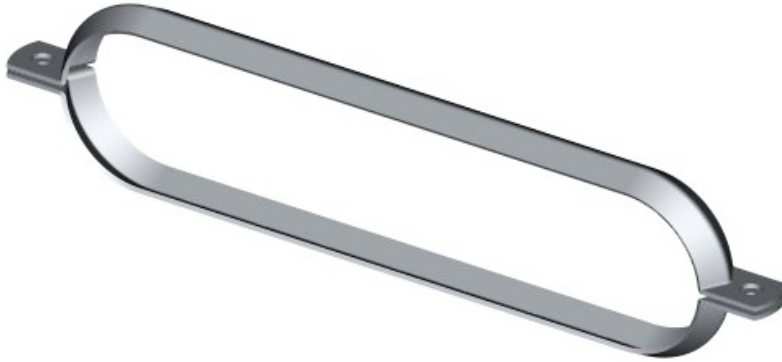


OVAL PIPE CLAMP

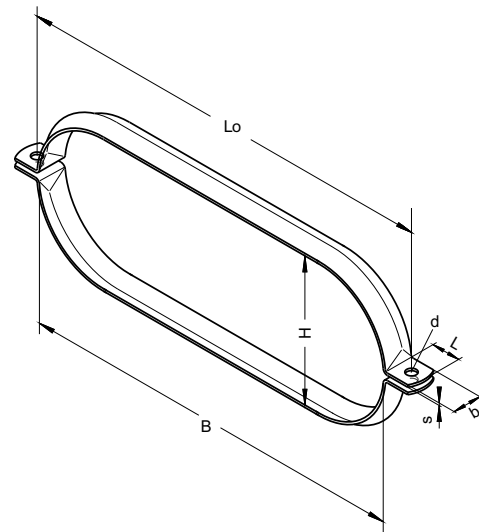
Type **114 Ov**

for ventilation pipes



H / B	b x s	Lo	L	d
80/320 100/350 130/370 consecutive diameter until 500/1800	30x2,5	B + 35	30	11
Other diameters on request. Please tell us the requested pipe diameter.				

All dimensions in mm



Description

Zinc-coated oval pipe clamp for fastening ventilation pipes in every installation situation. The connection follows by threaded bars. To increase its own stability, the material dimension 30x2,5 is profiled.

Delivered in pipe dimensions of H/B 80/320 until 500/1800

Preferable fields of application

Air- and climate technology

**Also STAINLESS available
RUST
PROOF**