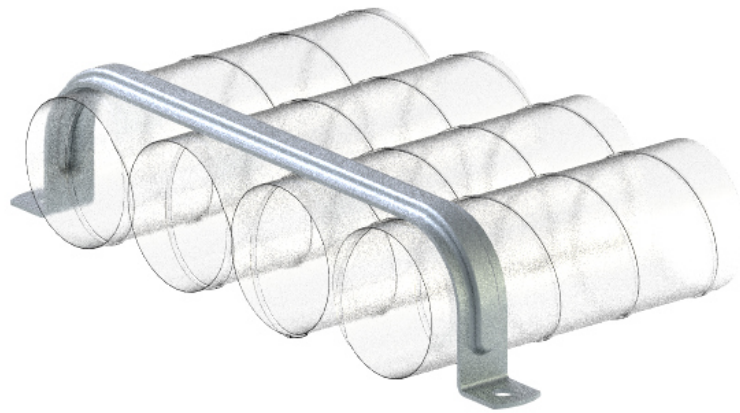
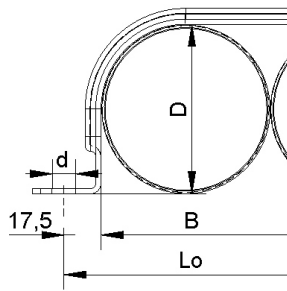


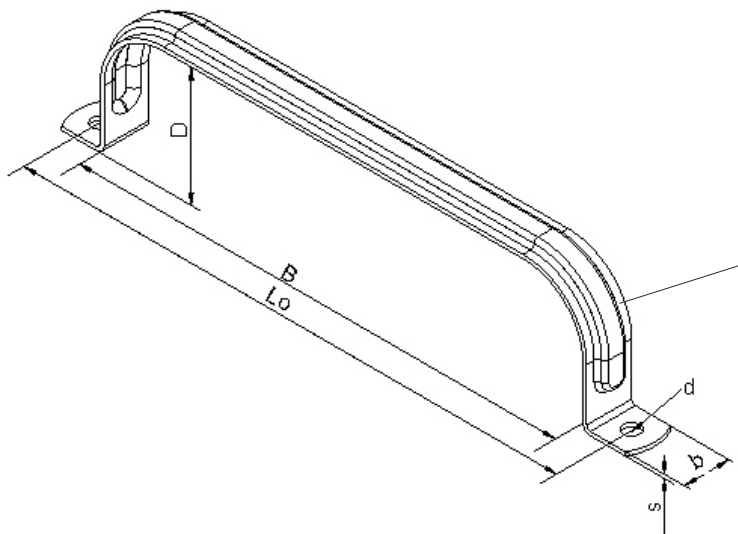
PIPE CLAMP CLIP

Type 115 L

one piece - long shape



Mounting example



also with elastomer inlay possible (**Type 115 L-Gu**)

Example list from our production assortment for 4 pipes.

All dimensions in mm

D øPipe	Material b x s	Lo	B	d	Item number Surface zinc-coated	VE / Piece
55	30x2.5	230	195	8.5	22017214	100
55		295	260	8.5	22017213	100
80		355	320	11	22026789	100
103		385	350	11	22026788	100
<p>Other diameters on request. Please tell us the requested pipe diameter and the quantity of the pipes.</p>						

Description

Pipe clamp clip, one piece, long shaped for the reception of several ventilation pipes side by side. The fastening is directly to the structure. To increase stability the material cross section ist profiled. Deliverable on request with elatomer inlay.

Spezification

Zinc-coated band steel

Preferable fields of application

Air- and climate technology



Ordering designations: Type...
e.g. 115 L

Dimension Dx B...
80x320

Surface...
zinc-coated band steel

Item number
22026789