

SLIDING RESTRAINING BEARING Type 118 C 118 CA

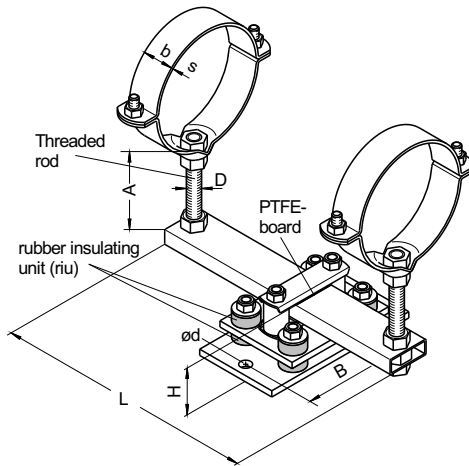
Type 118 C



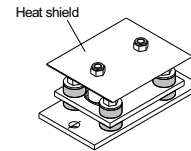
Type 118 CA
with sound insulation



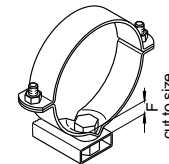
SOUND INSULATED
according to
DIN 4109



For extreme high irradiation temperatures
Variation 118 CA with heat shield



Variation without elevated track
with fixed dimension F



All dimensions in mm

valid for both designs								Type 118 CA with sound insulation			Type 118 C			
Pipe ø	b x s	A	L	F	D	d	Glide path	riu piece	B	H	Item number zinc-coated	B	H	item number zinc-coated
51.0											24003642			24003629
60.3											24003643			24003630
70.0											24003644			24003631
76.1											24003645			24003632
88.9											24003646			24003633
108.0											24003647			24003634
114.3	30x2,5	70	250	14	M12	11	175	4	130	45	24003648	120	29	24003635
133.0											24003649			24003636
139.7											24003650			24003637
159.0											24003651			24003638
168.3											24003652			24003639
193.7											24003653			24003640
219.1											24003654			24003641

Other diameters on request. Please tell us the requested pipe diameter.



Ordering designations: Type... e.g. 118 CA Diameters... ø139.7 A-dimension A=70 Surface zinc-coated Item number 24003650