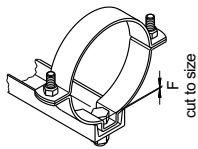
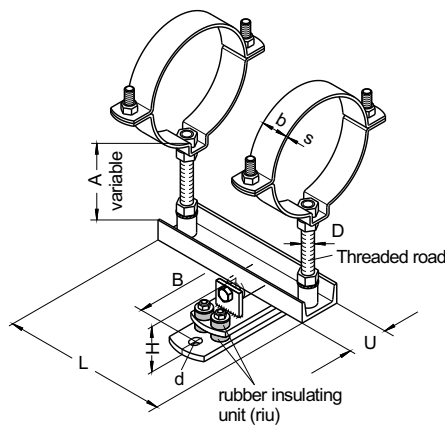


Roller bearing **lying** loosely for displacements in **X - Y** direction

**Type 118 G**



Variation without elevated track with fixed dimension F



**Type 118 GA**  
with sound insulation



**SOUND INSULATED**  
according to  
**DIN 4109**

All dimensions in mm

valid for both designs								Type 118 G			Type 118 GA				
Size	Pipe $\varnothing$	b x s	A Standard	L	D	d	U	F	B	H	Item number hot-dip galvanized	riu Piece	B	H	Item number hot-dip galvanized
1	51.0	30x2,5	90	180	M12	11	40x20	5	95	32	24003655	2	154	46	24003674
	57.0										24003656				24003675
	60.3										24003657				24003676
	70.0										24003658				24003677
	76.1										24003659				24003678
	88.9										24003660				24003679
2	108.0	40x4,0	120	250	M16	14	60x30	6	130	50	24003661	4	180	68	24003680
	114.3										24003662				24003681
	133.0										24003663				24003682
	139.7										24003664				24003683
	159.0										24003665				24003684
	168.3										24002667				24003685
193.7	24003668	24003686													
3	219.1	50x8,0	180	300	M24	18	80x45	3	160	53	24003669	4	245	73	24003687
	244.5										24003670				24003688
	267.0										24003671				24003689
	273.0										24003672				24003690
	298.5										24003673				24003691
4	323.9	50x8,0	180	300	M24	18	80x45	3	160	53	24020686	6	245	73	24003692
	355.6										24020687				24003693

**Other diameters and A-dimensions on request. Please tell us the requested pipe diameter and the A-dimension.**



**Ordering designations: Type...**  
e.g. 118 GA

**Diameters...**  
 $\varnothing$ 168.3

**A-dimension**  
A=120

**Surface**  
hot-dip galvanized

**Item number**  
24003685