

DOUBLE RESTRAINING ROLLER BEARING

Type **118-2G Z**
118-2G ZA

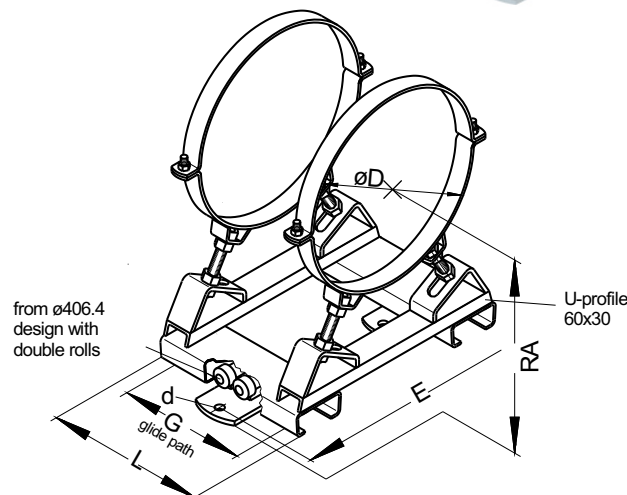
Type **118-2G Z**



Type **118-2G ZA**
with sound insulation



SOUND INSULATED
according to
DIN 4109



All dimensions in mm

valid for both designs					118-2G Z			118-2G ZA		
Pipe \varnothing	b x s	L	Glide path G	d	RA adjustable	E	Item number hot-dip galvanized	RA adjustable	E	Item number hot-dip galvanized
219.1	50x8	300	164	18	301-376	520	24014085	321-396	605	24013770
267.0	60x8	350	214	18	320-395	553	24019902	340-415	634	24025501
273.0	60x8	350	214	18	323-398	554	24014047	343-418	639	24025502
323.9	60x8	350	214	18	344-419	587	24014048	364-439	672	24025503
355.6	60x8	350	214	18	355-430	609	24014049	375-450	694	24025504
406.4	80x8	350	214	18	376-451	642	24014050	396-471	727	24025505
457.2	80x8	350	214	18	395-470	671	24019903	415-490	756	24025506
508.0	80x8	350	214	18	415-490	704	24014084	435-510	789	24013298

All dimensions are standard dimensions and can be changed on request. Please tell us the requested pipe diameter and the RA-dimension.



Ordering designations: Type...
e.g. 118-2G ZA

Diameters...
 \varnothing 273.0

RA-dimension
RA=350

Surface
hot-dip galvanized

Item number
24025502