

DOUBLE RESTRAINING ROLLER BEARING

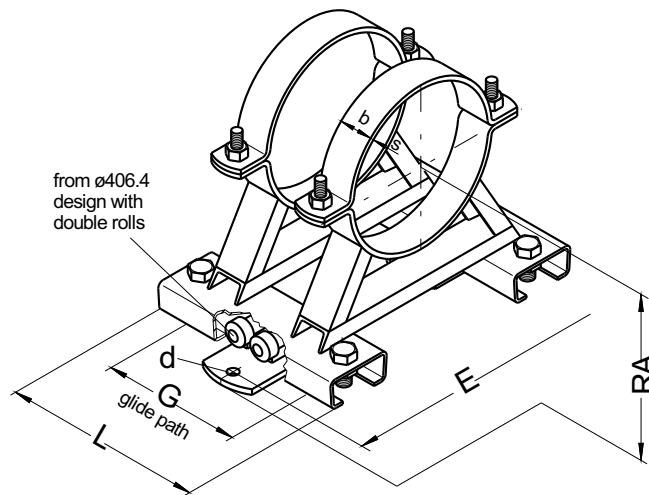
Type **118-2U Z**
118-2U ZA

SOUND INSULATED
according to
DIN 4109

Type 118-2U Z



Type 118-2U ZA
with sound insulation



All dimensions in mm

valid for both designs					118-2U Z			118-2U ZA with sound insulation		
Pipe ø	b x s	L	Glide path G	d	RA	E	Item number hot-dip galvanized	RA	E	Item number hot-dip galvanized
219.1	50x8	300	164	18	261	462	24019753	281	547	24019818
267.0	60x8	350	214	18	290	527	24019754	310	612	24019819
273.0	60x8	350	214	18	293	533	24019755	313	618	24019820
323.9	60x8	350	214	18	338	524	24019756	358	609	24019821
355.6	60x8	350	214	18	354	557	24019757	374	642	24019822
406.4	80x8	350	214	18	389	608	24019758	409	693	24019823
457.2	80x8	350	214	18	405	658	24019759	425	743	24019824
508.0	80x8	350	214	18	430	709	24019760	450	794	24020968

All dimensions are standard dimensions and can be changed on request. Please tell us the requested pipe diameter and the RA-dimension.



Ordering designations: Type...
e.g. 118-2U ZA

Diameters...
ø323.9

RA-dimension
RA=358

Surface
hot-dip galvanized

Item number
24019821