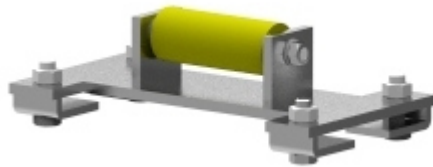


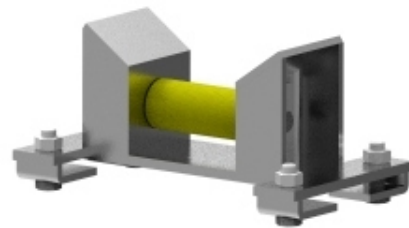
ROLLER BEARING

for beam connections to HEA/HEB-beams

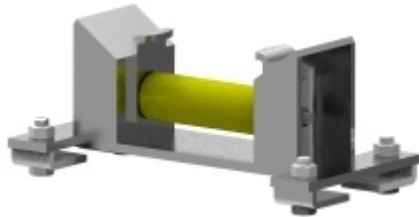
Type **118-305P GOF**
118-305P GF
118-305P GFH



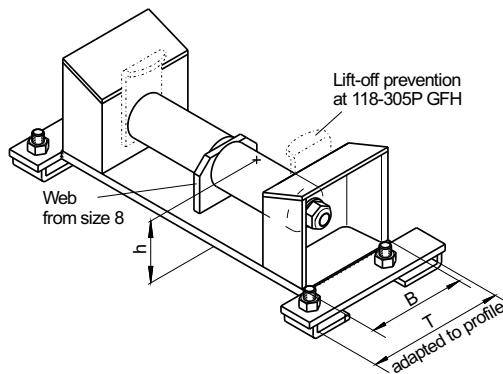
Typ 118-305P GOF, size 2-11
 Roller bearing without lateral guide



Type 118-305P GF, size 2-11
 Roller bearing with lateral guide



Typ 118-305P GFH, size 5-11
 Roller bearing with lateral guide and lift-off prevention
 can be used in combination with glide support
 Type 180 HS / catalogue page 120 and
 Type 171-... HS / catalogue page 159 + 160



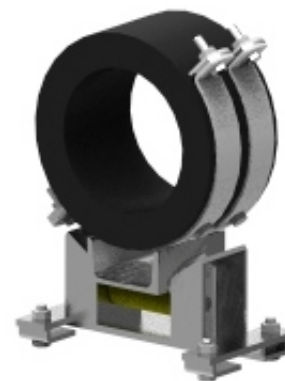
All dimensions in mm

Type 118-305P GOF+GF in size 2-11 and Type 118-305P GFH in size 5-11 deliverable				for beam
Size	Pipe \varnothing	B	h	
2	57.0 - 60.3	60	53	HEA/HEB please tell us the beam size
3	76.1 - 88.9			
4	108.0 - 139.7	80	63	
5	159.0 - 168.3			
6	193.7 - 273.0	100	75	
7	323.9 - 457.2			
8	508.0	120	75	
9	610.0			
10	711.0	120	75	
11	813.0 - 914.0			

Mounting example



Roller bearing Type 118-305P GF in combination with glide support Type 180 / see page 119



Roller bearing Type 118-305P GF in combination with low temperature support Type 171-2 / see page 160

Combination possibilities with Type 171 and 180

Specification

Hot-dip galvanized



Ordering designations: **Type...**
 e.g. 118-305P GFH

Size...
 Size 2

Surface...
 hot-dip galvanized

Beam
 HEA 120