

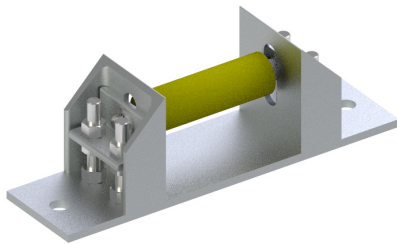
ROLLER BEARING

Roll height adjustable
DBGM 201 12 251.0

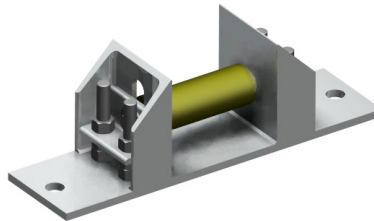
Type **118 RO-G hv**
118 RO-Z hv
118 RO-Z SH hv

The height adjustable roller bearing is deliverable in the variations:

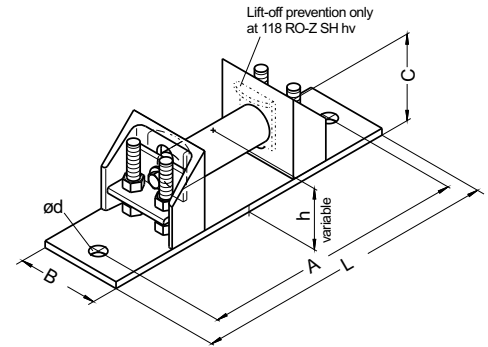
Type 118 RO-G hv
with lateral each 22 mm
air for lateral guidance



Type 118 RO-Z hv
with lateral guide



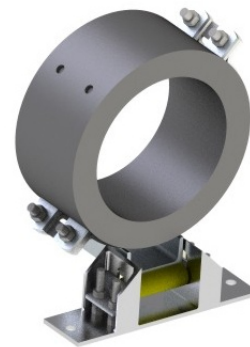
Type 118 RO-Z SH hv
with lateral guide and
lift-off prevention



Mounting example



Roller bearing Type 118 RO-Z SH hv in combination with glide support Type 180 HS / see page 120



Roller bearing Type 118 RO-Z hv in combination with low temperature glide support Type 171-2 / see page 159

All dimensions in mm

| valid for all designs | | | | | | | 118 RO-G hv without lateral guide | | 118 RO-Z hv with lateral guide | | 118 RO-Z SH hv with lateral guide and lift-off prevention | |
|-----------------------|---------------|-----|-----|-----|-----|----|--------------------------------------|---|-----------------------------------|---|---|---|
| Size | Pipe ø | L | B | A | C | d | h variable | Item number hot-dip galvanized | h variabel | Item number hot-dip galvanized | h variable | Item number hot-dip galvanized |
| 5 | 159.0 - 168.3 | 400 | 100 | 340 | 127 | 18 | 73 - 123 | 24012020 | 73 - 123 | 24012013 | 73 - 123 | 24012016 |
| 6 | 193.7 - 273.0 | 420 | 100 | 360 | 127 | 18 | 73 - 123 | 24012021 | 73 - 123 | 24012014 | 73 - 123 | 24012017 |
| 7 | 323.9 - 457.2 | 450 | 120 | 390 | 144 | 23 | 86 - 136 | 24012022 | 86 - 136 | 24011584 | 86 - 136 | 24012018 |
| 8 | 508.0 | 490 | 120 | 440 | 144 | 23 | 86 - 136 | 24012023 | 86 - 136 | 24012015 | 86 - 136 | 24012019 |

Combination possibilities with Type 171 and 180



Ordering designations: Type...
e.g. 118 RO-Z hv

Size...
Size 5

Surface...
hot-dip galvanized

Item number
24012013