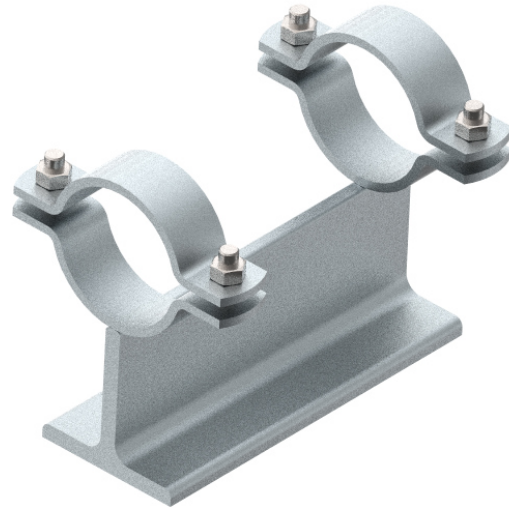
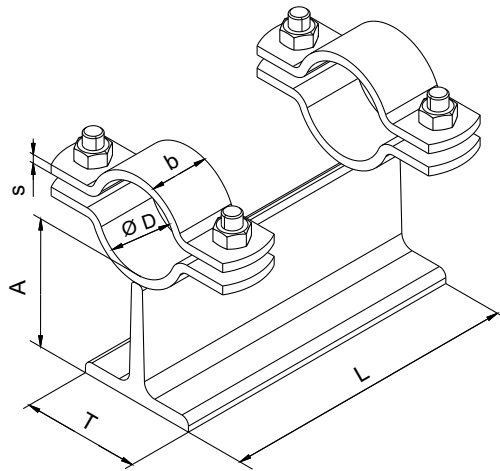


GLIDE SUPPORT T-SLIDE

two pieces

Typ 121 T S



Industrial pipe clamp DIN 3657 A
All dimensions in mm

Type 121 T S								combinable with
ø D	b x s	T	L	A Standard	Item No. ordinary steel	Item No. galvanized	Item No. hot-dip galvanized	Glide plate 302 T-SH Size
60.3	40 x 6	80	200	86	24028883	24028884	24028885	2
76.1	40 x 6	80	200	86	24028886	24028887	24028888	2
88.9	40 x 6	100	250	106	24028889	24028890	24028891	3
114.3	50 x 8	120	250	128	24028892	24028893	24028894	4
139.7	50 x 8	120	250	128	24028895	24028896	24028897	4
168.3	50 x 8	120	250	128	24028898	24028899	24028900	4
219.1	50 x 8	120	250	128	24028901	24028902	24028903	4
273.0	60 x 8	120	250	128	24028904	24028905	24028906	4
323.9	60 x 8	120	250	128	24028907	24028908	24028909	4

Other design combinations of the dimensions ø D, T, L, and A on request.

Specification

Material No. 1.0038, galvanized, hot-dip galvanized or ordinary steel.
Also deliverable in stainless steel material No. 1.4301 and 1.4571.

Gliding supports / glide guidance

Suitable gliding supports: Type 301, 302, 302 T-SH, 300 Z

Fixed points

Suitable fixed points: Typ 116 S, 116 SK, 116-305P/S-I

**Also STAINLESS available
RUST
PROOF**

