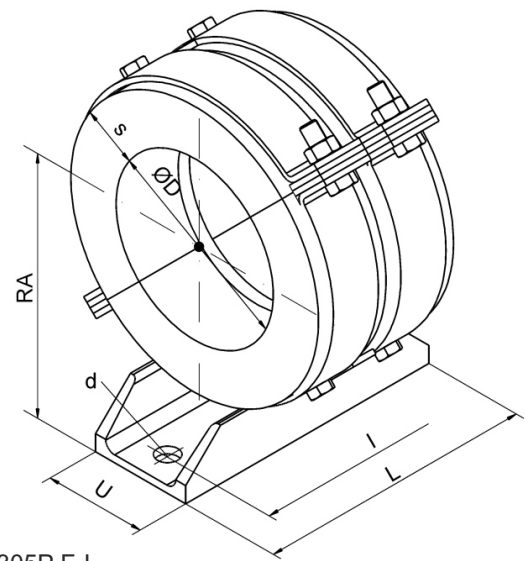
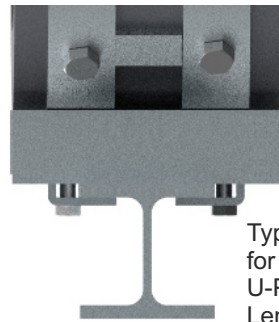
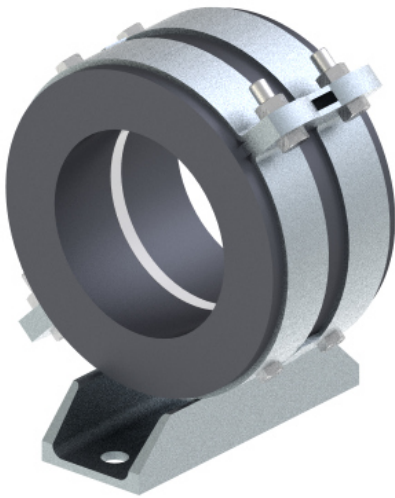


LOW TEMPERATURE FIXED POINT PIPE CLAMP

Type **173 F**
173-305P F-I

Type 173 F



Type 173-305P F-I
for beam connections.
U-Profile with straight ends.
Length L adapted to beam size
and clamp width.

All dimensions in mm

Pipe \varnothing	s	RA ± 2	U Profile	L	l	d	Item number hot-dip galvanized
21.3	30	63	40x20	140	110	9	26017528
26.9	30	63	40x20	140	110	9	26011481
33.7	30	66	40x20	140	110	9	26011480
42.4	30	74	40x20	140	110	9	26011482
48.3	30	74	40x20	140	110	9	26011483
57.0	30	84	50x25	162	126	13	26017530
60.3	30	84	50x25	162	126	13	26010939
70.0	30	95	60x30	182	146	13	26017532
76.1	30	95	60x30	182	146	13	26010940
88.9	30	103	60x30	182	146	13	26010967
108.0	40	140	80x45	216	168	18	26012950
114.3	40	140	80x45	216	168	18	26010941
133.0	40	154	80x45	216	168	18	26012951
139.7	40	154	80x45	216	168	18	26009967
159.0	40	165	100x50	216	168	18	26012952
168.3	40	170	100x50	216	168	18	26010966
193.7	60	211	120x55	320	260	23	26017534
219.1	60	224	120x55	320	260	23	26011052
267.0	60	249	120x55	320	260	23	26022656
273.0	60	252	120x55	320	260	23	26011074
323.9	60	281	140x60	344	272	27	26010293
355.6	60	298	140x60	344	272	27	26011317
368.0	60	303	140x60	344	272	27	26012953
406.4	60	324	140x60	384	312	27	26010350
457.2	60	350	140x60	384	312	27	26018042
508.0	60	381	180x70	384	312	27	26010292
610.0	60	437	220x80	424	352	27	26010441
711.0	65	496	220x80	424	352	27	26017536

Galvanized, other diameters and RA-dimensions on request. Please tell us the requested pipe diameter and RA-dimension.



Ordering designations: Type...
e.g. 173 F

Diameter...
 $\varnothing 114.3$

RA-dimension...
RA=140

Surface...
feuerverzinkt

Item number
26010941