

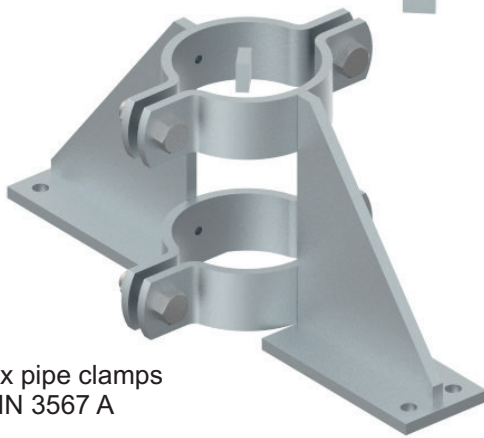
# FIXED POINT PIPE CLAMP

for vertical pipe lines

Type 117 V

dipa

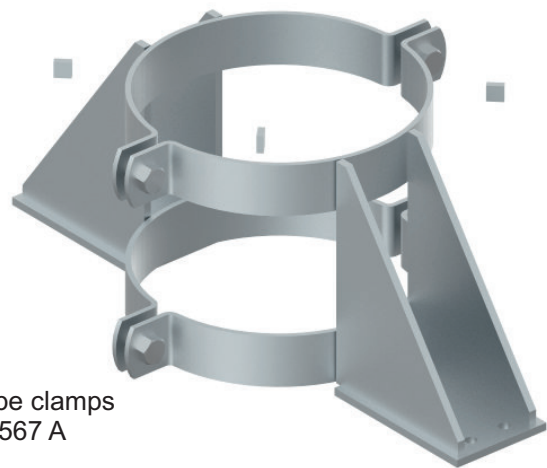
## Size 1



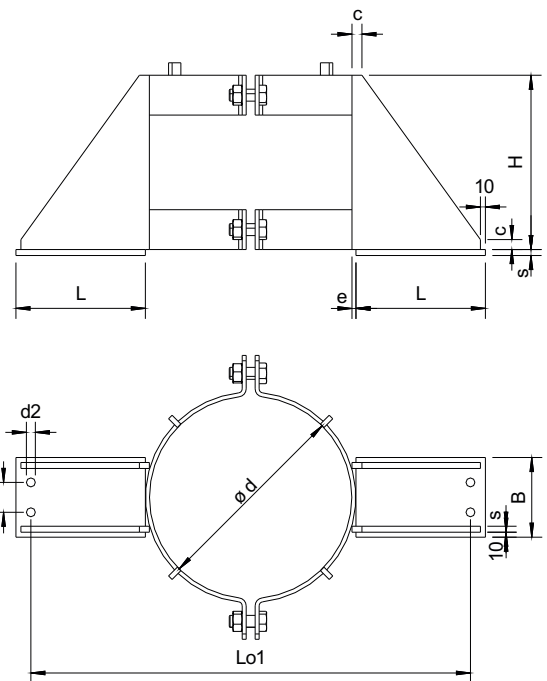
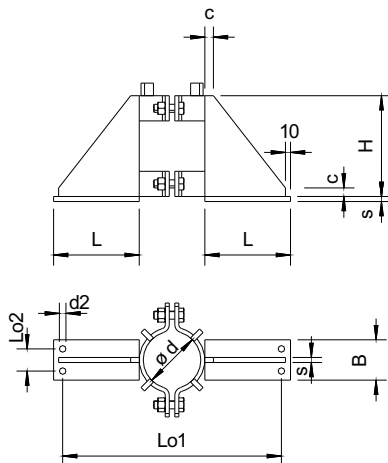
2 x pipe clamps  
DIN 3567 A

4 pieces 25x25x10 enclosed  
loosely to weld onto the pipes.  
Welding performed on site

## Size 2



2 x pipe clamps  
DIN 3567 A



Size	Pipe $\varnothing$	Clamp	B	L	H	s	c	Lo1	Lo2	d2	e
1	60.3	40x6	80	170	200	8	15	376	45	11	-
	76.1	40x6	80	170	200	8	15	394	45	11	-
	88.9	40x6	80	170	200	10	15	410	45	11	-
	114.3	50x8	80	170	200	10	15	435	44	13	-
	139.7	50x8	80	170	200	10	15	460	44	13	-
	168.3	50x8	100	210	250	10	15	565	60	18	-
	219.1	50x8	100	210	250	10	15	616	60	18	-
	273.0	60x8	100	210	250	10	15	669	60	18	-
2	323.9	60x8	160	260	300	12	20	800	60	18	10
	355.6	60x8	160	260	300	12	20	832	60	18	9
	406.4	80x8	160	260	350	12	20	883	60	18	8
	508.0	80x8	200	260	350	15	20	984	80	18	11
	610.0	100x8	200	280	400	15	20	1106	80	23	9
	711.0	100x12	200	280	500	15	20	1215	80	23	8
	813.0	100x12	200	280	500	15	20	1317	80	23	7
	914.0	100x12	250	300	600	15	20	1458	130	23	11

**Other diameters on request. Please provide the requested pipe diameter.**

**Also STAINLESS available  
RUST  
PROOF**

### Specification

Material No. 1.0038 ordinary steel, zinc-coated or stainless steel material No. 1.4301 and 1.4571 or color-coated.