

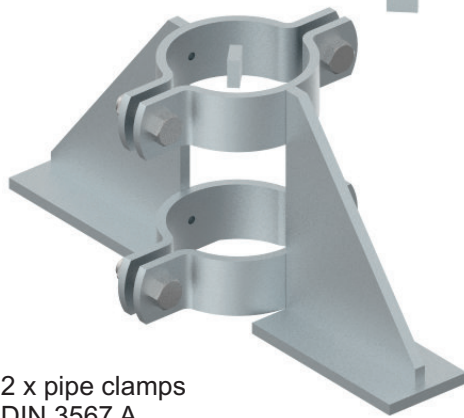
# GLIDE SUPPORT

for vertical pipe lines

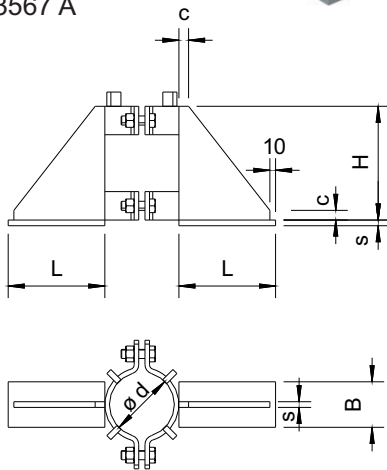
Type 186 V

dipa

## Size. 1

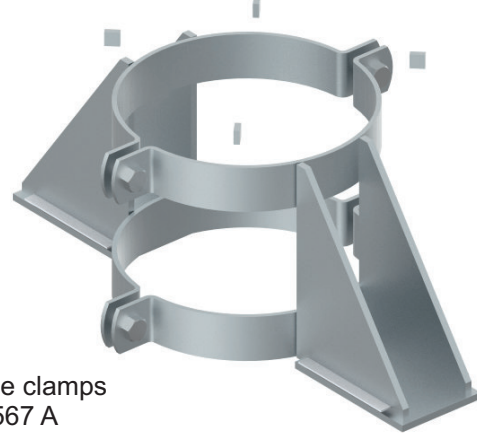


2 x pipe clamps  
DIN 3567 A

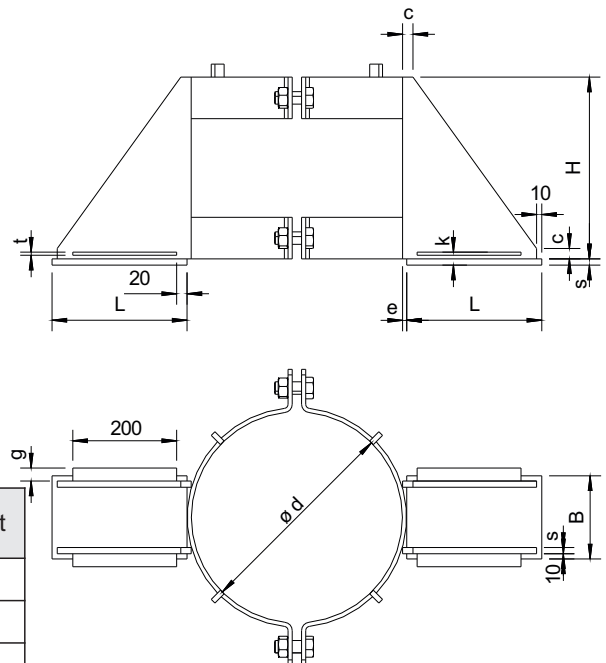


4 pieces 25x25x10 enclosed  
loosely to weld onto the pipes.  
Welding performed on site

## Size. 2



2 x pipe clamps  
DIN 3567 A



| Size | Pipe $\varnothing$ | Clamp  | B   | L   | H   | s  | c  | e  | k  | g x t  |
|------|--------------------|--------|-----|-----|-----|----|----|----|----|--------|
| 1    | 60.3               | 40x6   | 80  | 170 | 200 | 8  | 15 | -  | -  | -      |
|      | 76.1               | 40x6   | 80  | 170 | 200 | 8  | 15 | -  | -  | -      |
|      | 88.9               | 40x6   | 80  | 170 | 200 | 10 | 15 | -  | -  | -      |
|      | 114.3              | 50x8   | 80  | 170 | 200 | 10 | 15 | -  | -  | -      |
|      | 139.7              | 50x8   | 80  | 170 | 200 | 10 | 15 | -  | -  | -      |
|      | 168.3              | 50x8   | 100 | 210 | 250 | 10 | 15 | -  | -  | -      |
|      | 219.1              | 50x8   | 100 | 210 | 250 | 10 | 15 | -  | -  | -      |
|      | 273.0              | 60x8   | 100 | 210 | 250 | 10 | 15 | -  | -  | -      |
| 2    | 323.9              | 60x8   | 160 | 260 | 300 | 12 | 20 | 10 | 25 | 15 x 6 |
|      | 355.6              | 60x8   | 160 | 260 | 300 | 12 | 20 | 9  | 25 | 15 x 6 |
|      | 406.4              | 80x8   | 160 | 260 | 350 | 12 | 20 | 8  | 25 | 15 x 6 |
|      | 508.0              | 80x8   | 200 | 260 | 350 | 15 | 20 | 11 | 30 | 20 x 6 |
|      | 610.0              | 100x8  | 200 | 280 | 400 | 15 | 20 | 9  | 30 | 20 x 6 |
|      | 711.0              | 100x12 | 200 | 280 | 500 | 15 | 20 | 8  | 30 | 20 x 6 |
|      | 813.0              | 100x12 | 200 | 280 | 500 | 15 | 20 | 7  | 30 | 20 x 6 |
|      | 914.0              | 100x12 | 250 | 300 | 600 | 15 | 20 | 11 | 30 | 25 x 6 |

**Other diameters on request. Please provide the requested pipe diameter.**

**Also STAINLESS available  
RUST  
PROOF**

### Specification

Material No. 1.0038 ordinary steel, zinc-coated or stainless steel material No. 1.4301 and 1.4571 or color-coated.

### Combination possibilities with dipa Type

- as glide support with dipa Type 300, 301, 301 SO
- as glide support with lateral guidance with dipa Type 302 SF
- as glide support with lateral guidance and lift-off prevention with dipa Type 302 SH
- as design -305P for beam connections (e.g. 302-305P SH)