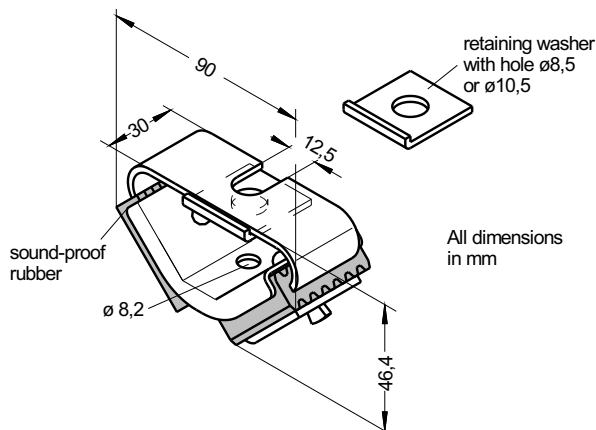
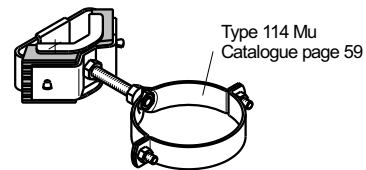
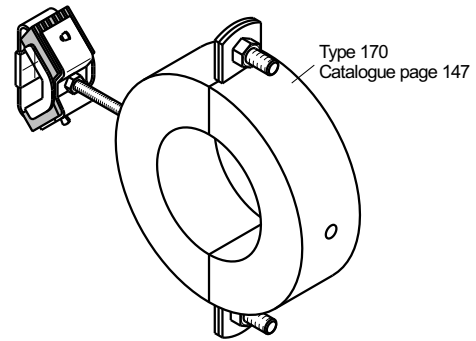


SOUND INSULATED
according to
DIN 4109



Mounting examples



Technical data

Sound-proofing performance: 20 db (A)
max. tensile strength: 1500 N
Bending load: 10000 N

Description

Structure-borne sound insulating fastening unit to fasten components of any kind, e.g., sound absorbers, ventilation ducts, ventilators or collecting trusses, e.g. in connection with helped rails. The fastening of ventilation ducts or sound absorbers can be made, as desired with the insulation component Type 106 directly, or with the insulation component Type 106 in a U-shape (s. next page) as flange connection. The special retaining washer enables the mounting of the unit, including the ready mounted insulating component under the retaining washer already fixed at the dowel by simply pushing it in. After the dowel is brought to his statutory dowel torque, the retaining washer covers (s. picture) the insulating component and prevents the fastening from slipping out. Due to this solution the element was approved named as Type 130 by the Federal Department of Civil Defense as shockproof fastener. The dipa® unit Type 106 is, like all other dipa® parts secured against breaking off. In case of destruction of the rubber spring, e.g. by fire, the part maintains its protecting properties. The insulation components Type 106 and 106 U can be use for **wall, ceiling or floor fastening**.

Specification

Zinc-coated

Preferable fields of application

Air- and ventilation technology

Item	Item number
Type 106 / 8,5	20011241
Type 106 / 10,5	20001034

Also STAINLESS available
RUST
PROOF